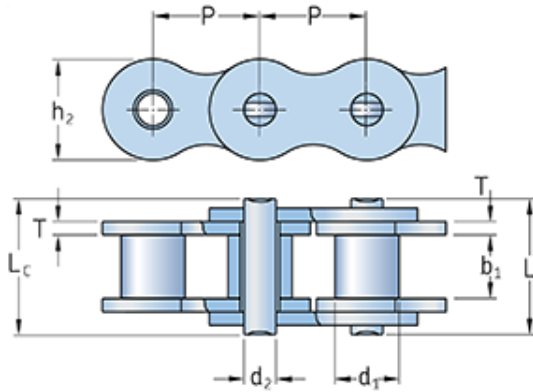


# PHC 20B-1X5MTR



Pitch P (mm)	31.75
Roller diameter d1 max (mm)	19.05
Width between inner plates b1 min (mm)	19.56
Pin diameter d2 max (mm)	10.19
Plate height h2 max (mm)	26.4
Plate thickness T max (mm)	3.5
Weight (kg/m)	3.7